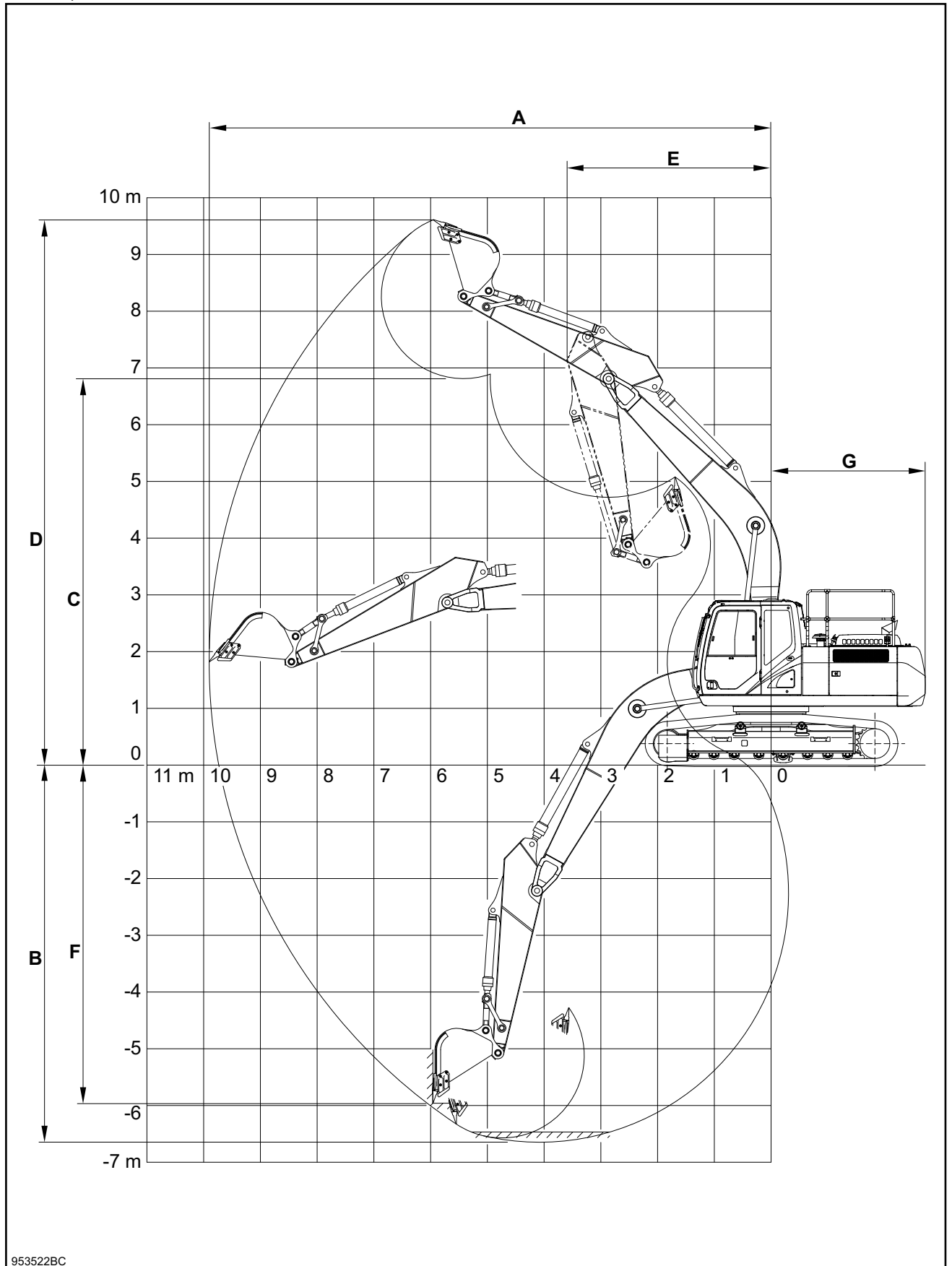


Work Range  
(SH210LC-6)



953522BC

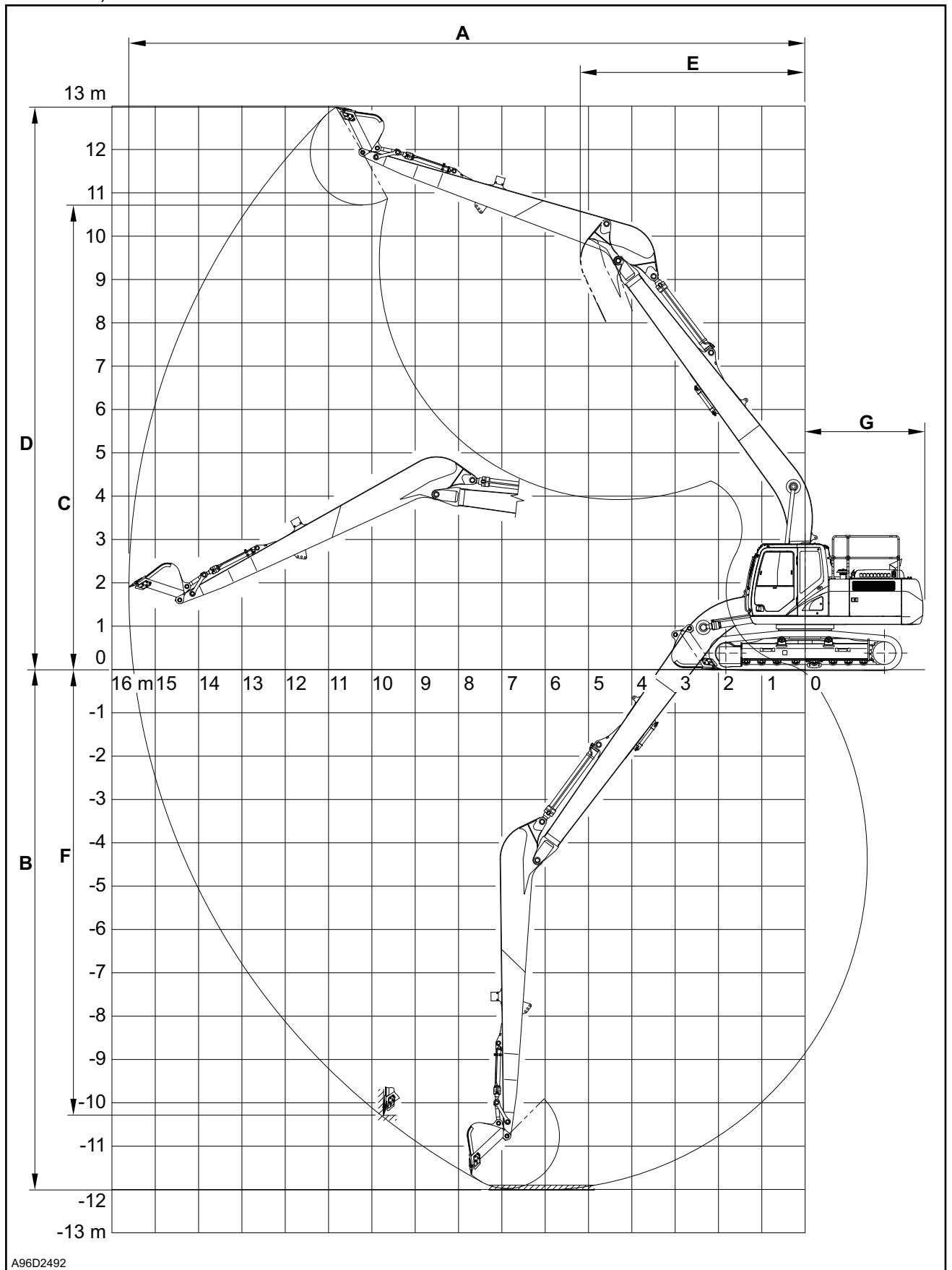
953522BC

## Work Range

---

Arm	Short arm (2.40 m)	Standard arm (2.94 m)
(A) (Maximum digging radius)	9420 mm	9900 mm
(B) (Maximum digging depth)	6110 mm	6650 mm
(C) (Maximum dump height)	6590 mm	6810 mm
(D) (Maximum digging height)	9410 mm	9610 mm
(E) (Minimum front swing radius)	3600 mm	3600 mm
(F) (Maximum vertical straight wall digging depth)	5500 mm	5960 mm
(G) (Swing radius (rear end))	2750 mm	2750 mm

(SH210LC-6 LR)



A96D2492

A96D2492

## Work Range

---

Arm	Ultra-long arm (6.4 m)
(A) (Maximum digging radius)	15610 mm
(B) (Maximum digging depth)	12020 mm
(C) (Maximum dump height)	10720 mm
(D) (Maximum digging height)	12970 mm
(E) (Minimum front swing radius)	5190 mm
(F) (Maximum vertical straight wall digging depth)	10290 mm
(G) (Swing radius (rear end))	2750 mm