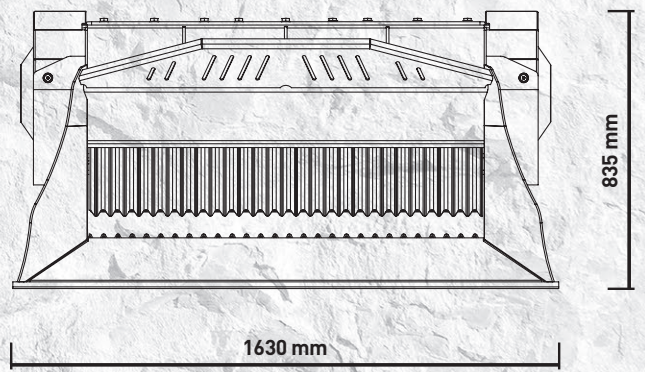
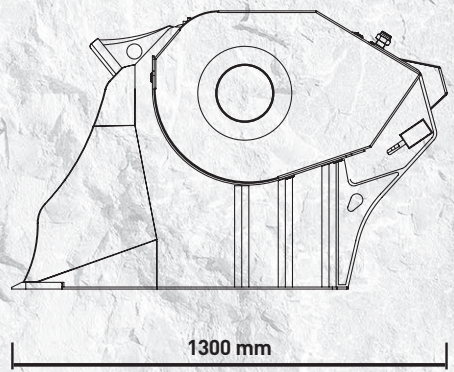


# MB-L160 S2



# “Practical, handy, and **efficient**”



The perfect combination of efficiency and mobility, designed to meet the needs of skid loaders and backhoes while maintaining the power and productivity of MB products.

The MB-L160 S2 crusher bucket is suitable for skid loaders starting from 4,50 Ton and backhoes between 7 to 10 Ton.

The compact size is efficient and easy to use.



## AREAS OF APPLICATION

- DEMOLITION
- RECYCLING
- ROAD WORKS
- EXCAVATION

## SPECIFICATIONS

EQUIPMENT	LOAD CAPACITY	OPENING DIMENSIONS	OUTPUT SETTING	DIMENSIONS
SKID LOADER ≥ 4,50 Ton BACKHOE LOADER / LOADER ≥ 7 ≤ 10 Ton	0,35 m <sup>3</sup>	L 1100 H 240 mm	≥ 15 ≤ 60 mm	1300 x 1630 H 835 mm
OIL FLOW	PRESSURE	COUNTER PRESSURE	WEIGHT	MAXIMUM PRODUCTION
110 l/min.	200 bar	20 bar	1,45 Ton	20 m <sup>3</sup> /h

## ACCESSORIES

RECOMMENDED SPARE PARTS KIT	FIX COUPLER	QUICK FEMALE COUPLER	IRON SEPARATOR	HOUR METER
MBL160020	-	-	-	804MBNF01
			DUST SUPPRESSION KIT	24 MONTHS WARRANTY
			KNMB00L-KNMB00S-KNMB00M	WA241600

The data provided above is not binding, as the manufacturer reserves itself the right to make improvements to its products at any time and with no advance notice. References to excavator weights are approximate and many may be subject to changes. Consider a 20% tolerance.