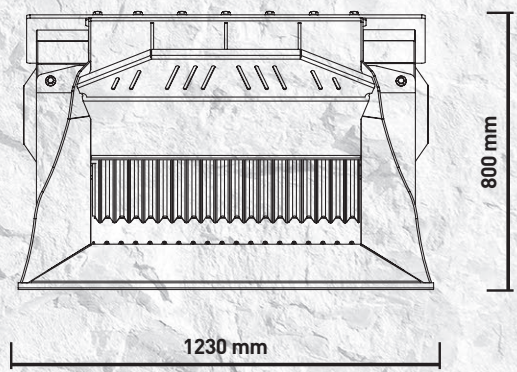
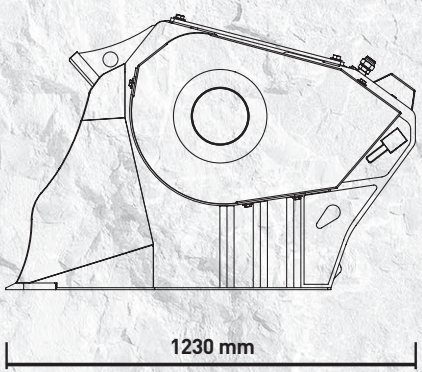


MB-L120 S2



“Great in its little”



Small but packed with high performance. It meets the need that arises in small yards and limited spaces.

The MB-L120 S2 crusher bucket is suitable for skid loaders from 2,80 Ton and backhoes between 5 and 7 Ton.

Easy to carry, compact, handy, easy to use, and low maintenance.



AREAS OF APPLICATION

- DEMOLITION
- RECYCLING
- ROAD WORKS
- EXCAVATION

SPECIFICATIONS

EQUIPMENT	LOAD CAPACITY	OPENING DIMENSIONS	OUTPUT SETTING	DIMENSIONS
SKID LOADER ≥ 2,80 Ton BACKHOE LOADER / LOADER ≥ 5 ≤ 7 Ton	0,20 m ³	L 730 H 250 mm	≥ 15 ≤ 60 mm	1230 x 1230 H 800 mm
OIL FLOW	PRESSURE	COUNTER PRESSURE	WEIGHT	MAXIMUM PRODUCTION
95 l/min.	200 bar	20 bar	0,95 Ton	14 m ³ /h

ACCESSORIES

RECOMMENDED SPARE PARTS KIT	FIX COUPLER	QUICK FEMALE COUPLER	IRON SEPARATOR	HOUR METER
MBL140015	-	-	-	804MBNF01
			DUST SUPPRESSION KIT	24 MONTHS WARRANTY
			KNMB00L-KNMB00S-KNMB00M	WA241201

The data provided above is not binding, as the manufacturer reserves itself the right to make improvements to its products at any time and with no advance notice. References to excavator weights are approximate and many may be subject to changes. Consider a 20% tolerance.